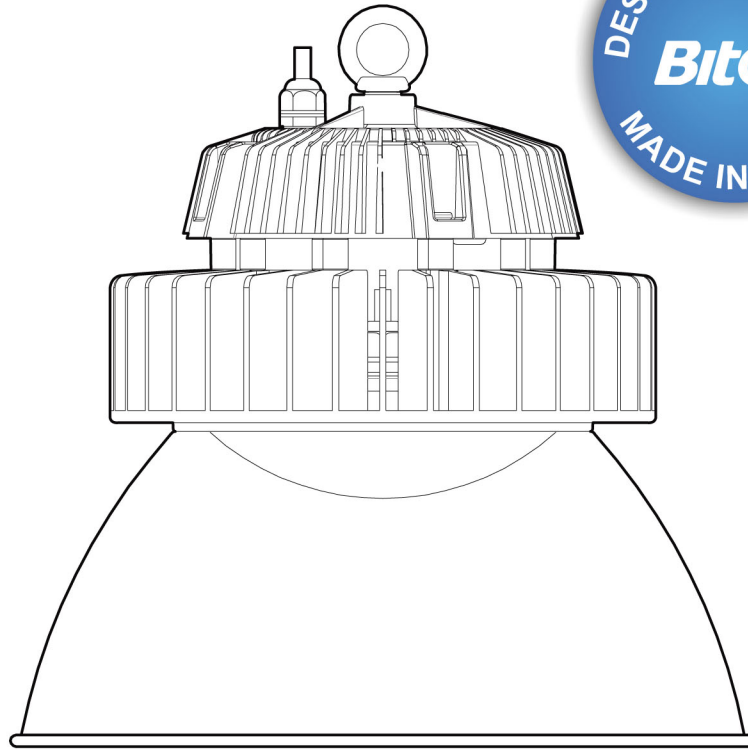


All
Possibility
with BETOP

Bitco



HIGH BAY THUNDER





Introduction

Betop Thunder series highbay is designed with: SIMPLE, POWERFUL, RELIABLE

With Betop's unique cold-forging technology and pure-aluminum-made heat sink, we bring you some new experience:

1. Due to large and effective heat dissipation areas, short heat transmission distance and fastest heat transmission speed, Betop's highbay temperature is well managed.
2. Light weight, only half of traditional die-cast or CNC aluminum highbay lamp.
3. Compact design, tiny size for almost any space.
4. Thanks to chemical stability of pure aluminum, our highbay is more capable of complicated application.

With Nichia 757D series chip that is originally encapsulated in Japan, Thunder series achieve great lighting performance:

1. With more than 200pcs SMD chip equally arrayed, uniformed light distribution that you can ever experience.
2. Enjoys junction temperature up to 120 C
3. LM80 tested with desirable lumen maintenance.
4. With SMD and milky cover solution, UGR is controlled under 22


Meanwell HBG driver, the best led power supply in China:

1. MW driver have all certificate you may concern
2. IP66 design
3. Working temperature up to 60C ready for most tough working condition
4. 5 Years warrant

Further, Betop keeps working to make our led highbay product series your selected choice.

Our professional salesman and more than 20 engineers are ready to answer your call and solve your problem that may occur in marketing and project bidding.

Work together and stay close, that is Betop's way of doing business.

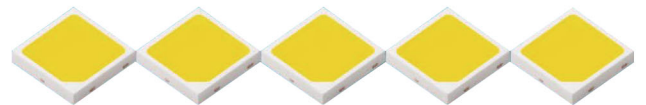
 <p>MW HBG-100</p>	<p>■ Features :</p> <ul style="list-style-type: none">• Universal AC input / Full range (up to 305VAC)• Built-in active PFC function• High efficiency upto 91.5%• Protections: Short circuit / Over current / voltage / temperature• OCP point adjustable through internal potentiometer• IP67/IP65 design for indoor or outdoor installations• Suitable for dry/damp/wet locations• 5years warranty, Tc70 C 40000hrs
 <p>MW HBG-160</p>	<p>■ Features :</p> <ul style="list-style-type: none">• Universal AC input / Full range (up to 305VAC)• Built-in active PFC function• High efficiency upto 93.5%• Protections: Short circuit / Over current / voltage / temperature• OCP point adjustable through internal potentiometer• IP67/IP65 design for indoor or outdoor installations• Suitable for dry/damp/wet locations• 5years warranty, Tc70 C 40000hrs
 <p>MW HBG-240</p>	<p>■ Features :</p> <ul style="list-style-type: none">• Universal AC input / Full range (up to 305VAC)• Built-in active PFC function• High efficiency upto 91.5%• Protections: Short circuit / Over current / voltage / temperature• OCP point adjustable through output cable or internal potentiometer• IP67/IP65 design for indoor or outdoor installations• Suitable for dry/damp/wet locations• 5years warranty, Tc70 C 40000hrs



Surface Mount Type

757D Series

Our smallest and thinnest high luminous efficacy LED available today in a package 1W or less
Various Ra selections and different drive currents available to meet your specific needs



高効率・小型・薄型パッケージ

多様化する照明デザインと、様々な回路設計に対応した駆動電流のバリエーション

THUNDER 100W

5-Years
Warranty
@ Ta=50°


L70>50.000h

Ta
-40-50°C


NICHIA

IP65

DALI



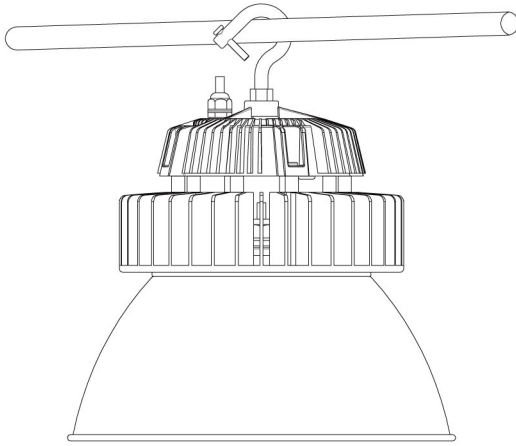
Part No.	Power	Driver	Voltage	Lumen	CCT	CRI	DIM	Weight
BT-TH100W-ND-850	100W	HBG-100	AC90-305V	10,000lm	5000K	80	Optional	2.8KG

Remarks:

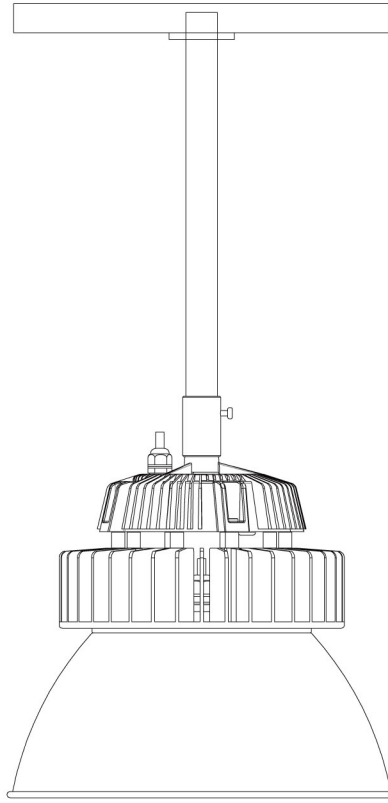
CCT: 2700K/3000K/4000K/5000/5700K for option
DIM: 0-10V, PWM and Resistance for option

CRI: Ra70/Ra80/Ra90 for option
For other possibility, please contact our sales

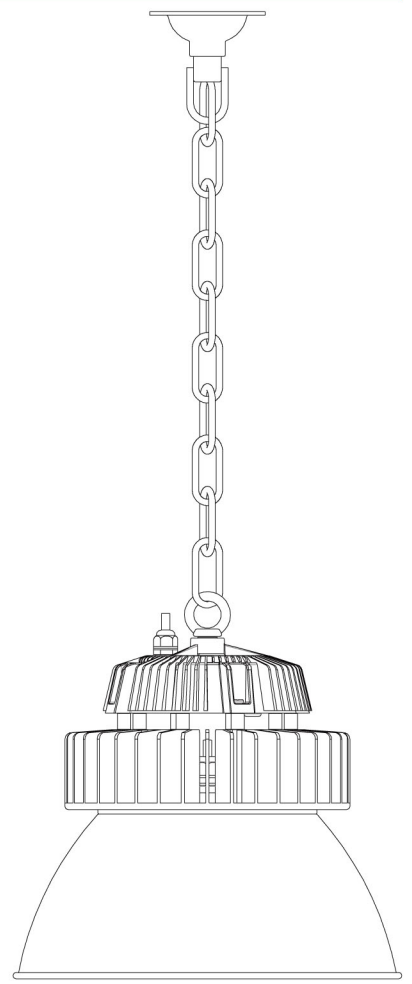
INSTALLATION



①



②



③

PACKAGE

