



Features

- Pure aluminum heatsink
- Nichia 757G
- Meanwell HBG-60
- Up to 110-130lm/w
- 5 years warranty

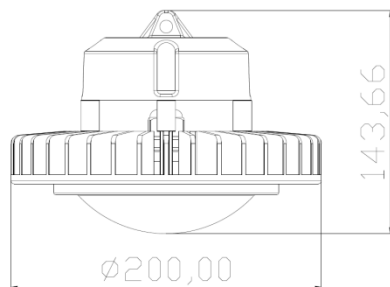
Certificate&Report

- UL / DLC / TUV / SAA / PSE
- LM-80 / LM-79 / IES

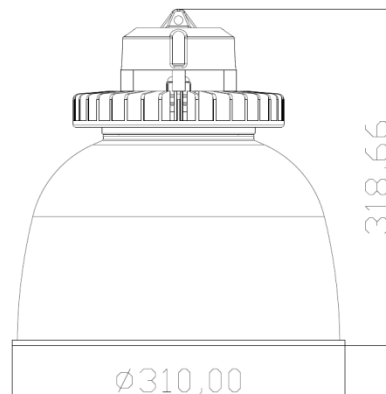
General information

Part No.:	BT-TH60W
Power:	60W±5%
Input Voltage:	Ac90-295V
Power Factor:	>0.95
CCT:	3000/4000/5000/5700K
CRI:	Ra80
Lumen:	6600lm±5%
Beam angle:	120°
Dimmable:	Optional
IP grade:	IP44
Lifespan:	40,000H at 50°C ambient temperature
Working Temperature:	-40 - 50°C
Installing method:	Hanging hook / Adjustable bracket / NPT
Material:	Aluminum + PC
Weight:	1.9KG
Accessory:	Reflector, dust-proof shield
Remarks:	

Dimensions



No reflector
120degree



PC reflector
70degree